

# SR2 Base Station

## Pro Network Receiver



The SR2 is the Hanwell Pro network enabled smart receiver, designed for collecting environmental monitoring data from multiple points within a site, or across multiple sites. The unit can receive data from up to 253 Hanwell Pro transmitters.

### Features

- ✓ British made high performance technology
- ✓ Incorporates standard TCP/IP comms protocols for rapid data handling
- ✓ Each SR2 can obtain data from up to 253 sensors
- ✓ Unlimited number of SR2's can be used on a single system
- ✓ Data is automatically sorted and filed
- ✓ Long-distance radio transmission when accompanied with receiver

Always ask for a long-range signal strength test.



We can prove ours to be unrivalled.



Product code: SR2-E-PU

Instrumentation specification	
Dimension (Excl. ancillaries)	300 x 200 x 85mm
Weight	1.2 kg
Power supply	110V AC or 240V AC. Detachable 12V battery backup supplying 2.3A/hr
Case material	Powder coated mild steel
Memory capacity	512kb
Clock accuracy (logging)	40ppm @ 25°C
Operating temperature range	5°C to +40°C
Operating humidity range	0-100% RH non-condensing
Storage temperature	-40°C to +60°C
IP Rating	IP54

Accessories	
RX-xx	Remote receiver - please specify the frequency required
SR2-E-7.0-UPS	7.0Ah external wall mounted UPS
SR2-E-15-UPS	15Ah external wall mounted UPS
Outputs	
Alarm outputs	1 x nominal 12V, 2 x changeover relays (energised when no alarms exist)
MS1000 cards	4 core signal cable

Manufactured by Hanwell | Ellab RoHS

Version 4 - EC200092

**Disclaimer:** The information contained herein is believed to be reliable. Hanwell Solutions Ltd. is not responsible for any incorrect or incomplete information on this datasheet and the information or product may be changed without notice. Customers should obtain and verify the latest relevant information before placing orders for Hanwell products.

hanwell.com

Tel: +44 (0)1462 688070 | Email: sales.hanwell@ellab.com

# How it works

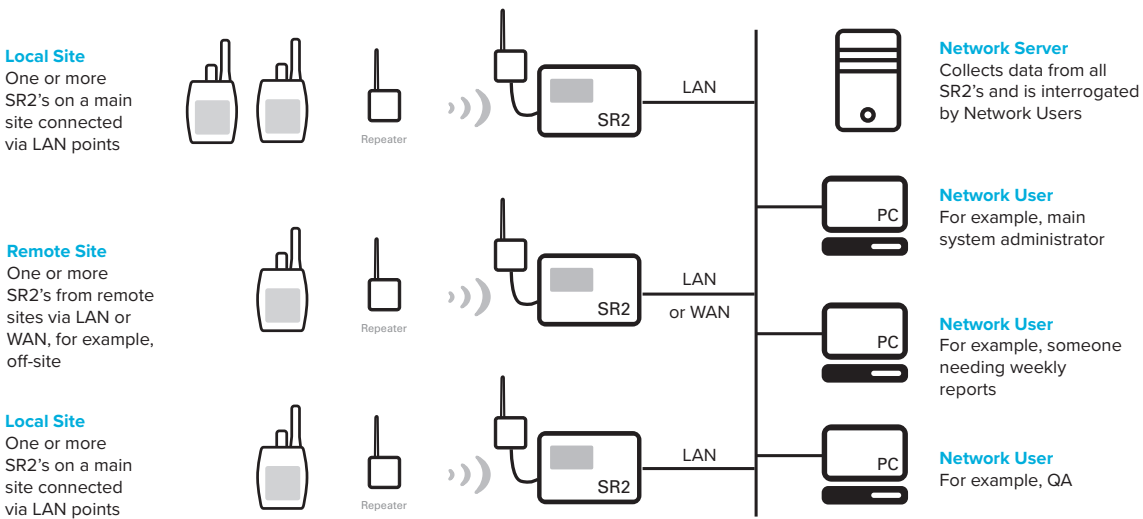
The Hanwell Pro SR2 logs all received data in its on-board 512kb memory. The Hanwell EMS software continually interrogates the SR2 for the most recent data, and downloads the data according to user-defined logging periods to the server or operating PC. Software users can view live and historic data, produce out of spec and summary reports and set alarms on both the data levels and the rate of change.

The SR2 is designed to be in constant communication with the software but has user-configurable fallback behaviour in the event of network or power failure. An on-board battery provides a UPS with 2.3A/hour life to carry it through up to 12 hours' power disruption (larger external UPSs are available as an optional extra).

Alarm relays are included: these can indicate that the readings are out of specification, and can be optionally set to indicate a network failure. MS1000 cards can be used to drive beacons, sounders and control systems on sensor alarm events.

*Configuration with RadioLog, or Synergy versions earlier than W900 V1.5.0 / W906 2.1.0, will require updated SR2 Network Configuration Tool; please contact Hanwell Support for assistance. Due to the age of these software versions, this service will be chargeable*

## Schematic - SR2



**One system can comprise an unlimited number of sites.**